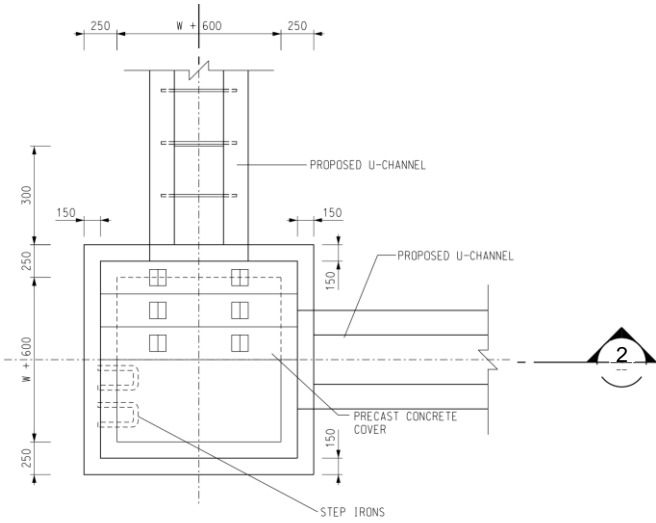
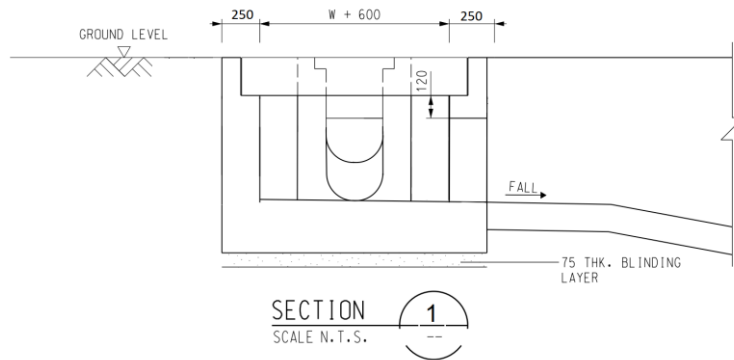


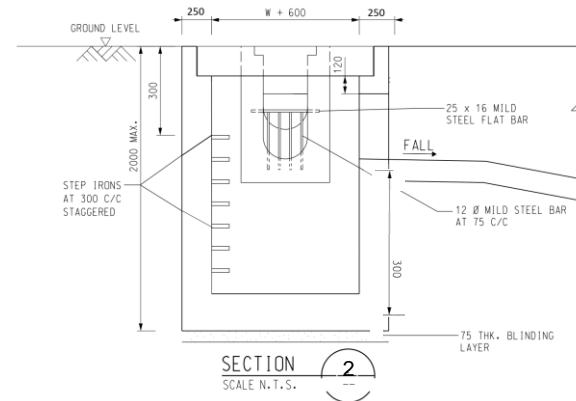
DETAILS OF PROPOSED CATCHPIT WITHOUT DESILTING TRAP
SCALE N.T.S.



DETAILS OF PROPOSED CATCHPIT WITH DESILTING TRAP
SCALE N.T.S.



SECTION 1
SCALE N.T.S.



SECTION 2
SCALE N.T.S.

Project Drainage Submission for the Proposed Temporary Cold Storage for a Period of Three Years in "Residential (Group D)" Zone at Various Lots in D.D. 105 and Adjoining Government Land, South of Castle Peak Road – San Tin, Mai Po Lung, San Tin, Yuen Long, New Territories

Title Typical Details of Proposed Catchpit

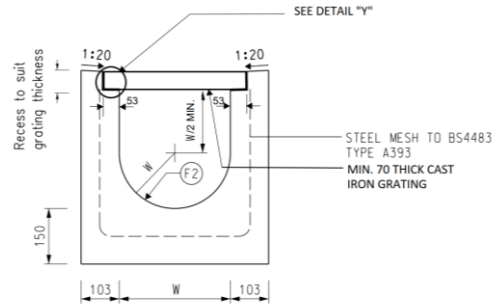
M M
MOTT
MACDONALD

Figure 1

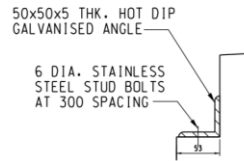
Date April 2023

Scale N.T.S.

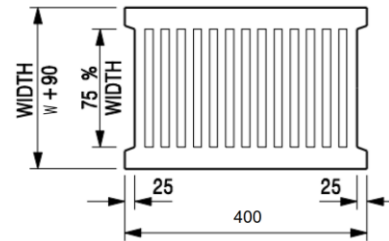
File



TYPICAL DETAILS OF U-CHANNEL
(N.T.S)



DETAIL "Y"
(N.T.S)



(All slots are 13 in width and all ribs are 20-23 in width.)

CAST IRON GRATING FOR COVERED U-CHANNEL

(N.T.S)

Project Drainage Submission for the Proposed Temporary Cold Storage for a Period of Three Years in "Residential (Group D)" Zone at Various Lots in D.D. 105 and Adjoining Government Land, South of Castle Peak Road – San Tin, Mai Po Lung, San Tin, Yuen Long, New Territories

Title Typical Details of Proposed U-channel and Grating Cover

Date April 2023

Scale N.T.S.

File

M M
MOTT
MACDONALD

Figure 2